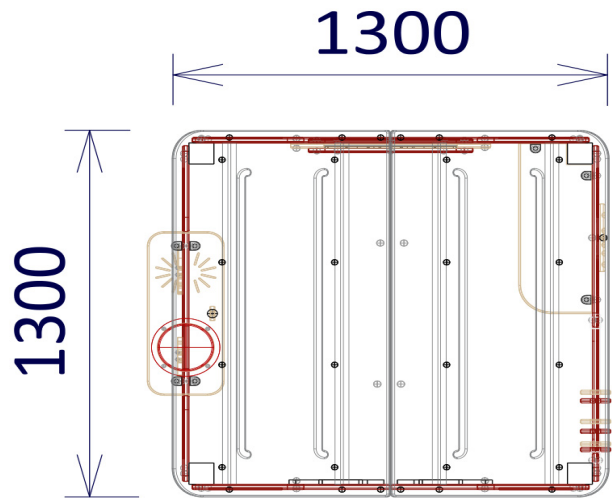


# Toddler Barn



Meticulously designed with the utmost consideration for the safety and developmental needs of toddlers, this barn-themed playground structure combines creativity and functionality. The Toddler Barn features interactive play panels, fostering motor skills, imagination, and social interaction in our youngest adventurers. Crafted with the same commitment to quality and durability that defines all ForPark products, the Toddler Barn stands as a testament to our dedication to providing innovative and safe play solutions for every stage of childhood.

## Specifications

Code:FS177

Age range: 0-5 Years

Equipment size: 1300mm x 1300mm

Max equipment height: 1630mm

Playspaces: Parks, schools, commercial

## Materials

<b>Colours</b>	Uprights and steel components: Standard powder coat - White 41 Plastic: Standard HDPE plastic - Light blue, O white Acrylic: Blue Rubber: Black
<b>Material specs</b>	Frame: Aluminium Steel components: Stainless steel Powder coating: 80-120u Plastic: Standard HDPE & acrylic Rubber: Conveyor belt



## Standards

Complies with relevant Australian Standards including: AS 4685:2021 (P1-6) | AS 4685.0:2017 | AS4422 (Int):2022

\*All information is commercial in confidence and is the property of The Play Collective. For details regarding Australian standards, warranties, insurances, QA and installation, please contact your local office. All information is correct as at February 2024.