



Material Specifications

Body, funnel & hand rail	Aluminium
Body parts and roarer	HDPE
Bell, talk tube etc	Powder-coated galvanised steel
Fixings	Stainless steel

Equipment Specifications

Free height of fall	1.5m
Fall zone size	5.5 x 4.2m
Highest point	2340mm

Other Required Information

Spare Parts	Available to order
Largest Part	Main frame: 1200 x 2400 x 1000mm
Heaviest Part	41kg+ Machinery Assistance

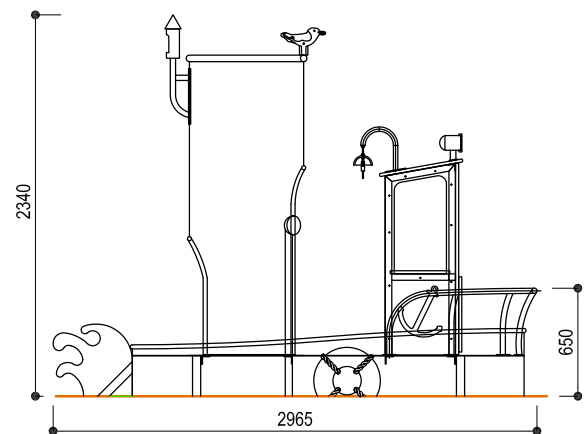
Standards

AS 4685 2021 series

Applications

Age Group	2 years +
Supervision Level	Young children should be supervised and inappropriate activities discouraged
Playspaces	Public parks, schools, early childhood centres, commercial play areas
Environment	Shade preferred for user comfort and protection.
Vandalism Resistance	Low susceptibility

Product Dimensions



Fall Zone

