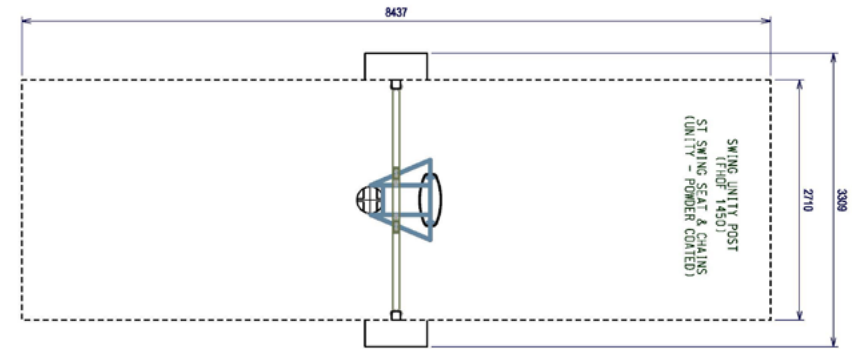


Swing Post 1 Bay with Unity Seat



Our Unity swing gives the parent and child the opportunity to bond while playing. This double swing allows children to sit face-to-face and maintain eye contact with their parent or caregiver.

SPECIFICATIONS

Product Code: SW164

Age Range: All Ages

Max Fall Height: 1450mm

Minimum Fall Zone: 35m²

Equipment Size: 4600mm x 950mm

Max Equipment Height: 2710mm

Playspaces: Parks, schools, commercial

MATERIALS

COLOURS	Frame: Powder Coat Colours
MATERIAL SPECS	Uprights: Galvanised Steel Top Bar: Galvanised Steel Fasteners Steel & S/S Powder Coating: 80-120µ



WWW.FORPARKAUSTRALIA.COM.AU

STANDARDS

Complies with relevant Australian Standards including: AS 4685:2021 (P1-6) | AS 4685.0:2017 | AS 4422:2016

*All information is commercial in confidence and is the property of Forpark Australia. All information is correct as at January 2022. For details regarding Australian standards, warranties, insurances, QA and installation, please contact your local office

